

System advantages

Tested safety right from the start

BALARDO *aqua control* has, as all GLASSLINE products do, all relevant certification:

- ✓ General building authority test certificate (AbP)
- ✓ LGA-tested
- ✓ Tested type static calculation for rail loads up to 1 kN/m
- ✓ ift tightness tested according to DIN EN 13051 and ift guideline FE-13/1
- ✓ Welds with welding certification



With General Building Inspectorate Test Certificate (AbP)



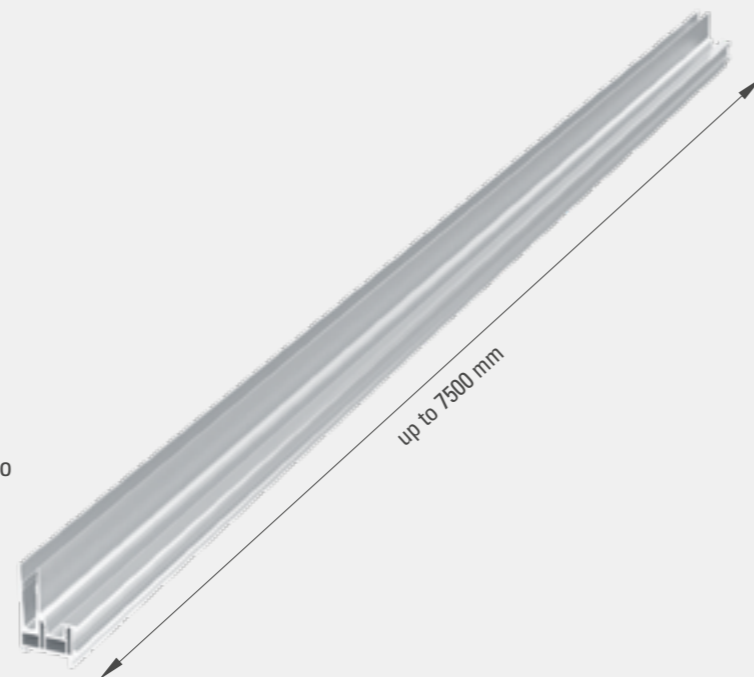
LGA-tested safety



ift-tested according to DIN EN 13051



With approved type statics



Object and customer-specific production with profile lengths up to 7500 mm

To minimise the number of structural joints, length cuts up to 7500 mm are possible. All orders are individually made to measure. Including the ready welded outer corners.

Colour design of the aluminium outer fascia panels

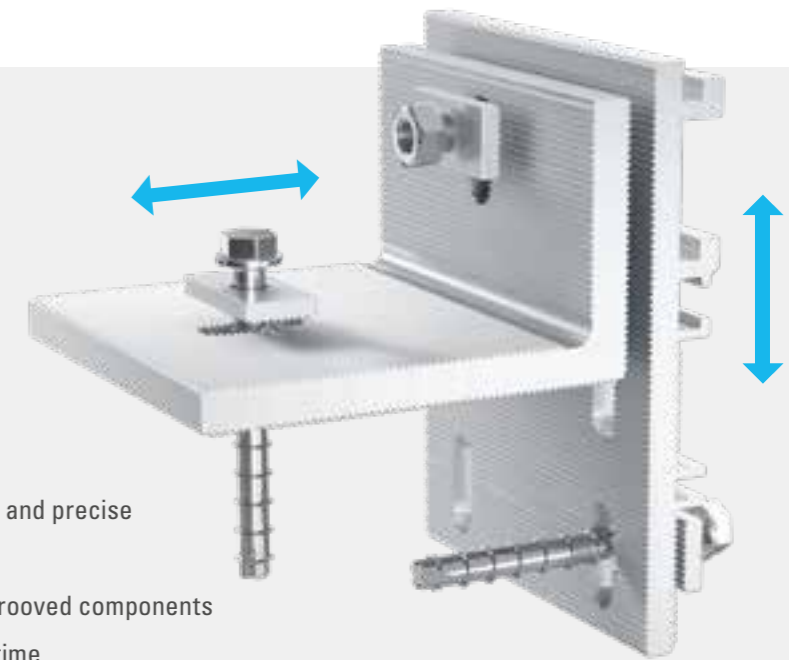
The outer fascia panels are available from stock in 2 surface finishes. An individual colour design according to RAL is possible.

- Surfaces:
- "Natural" untreated
 - Stainless steel effect (E6EV1)
 - RAL or special colour, powder-coated or anodised on request

Multidimensional adjustability in the substructure

The building connection elements enable multi-dimensional and precise adjustability on the substructure and in the glass level.

The positioning is fixed force-fittedly by the interaction of grooved components and slotted screw connection, but can be corrected at any time.



Variable fastening to substructure or floor surface

8 fastening systems enable perfect attachment to the substructure and variable adaptation to the floor covering.

System profile 1



System profile 2



System profile 3



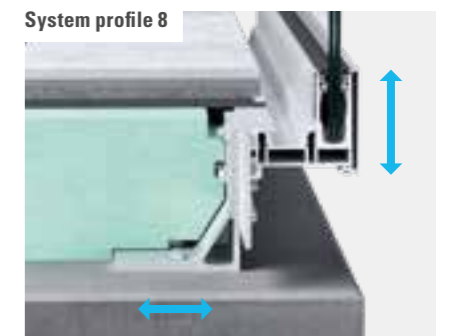
System profile 4 – 6



System profile 7



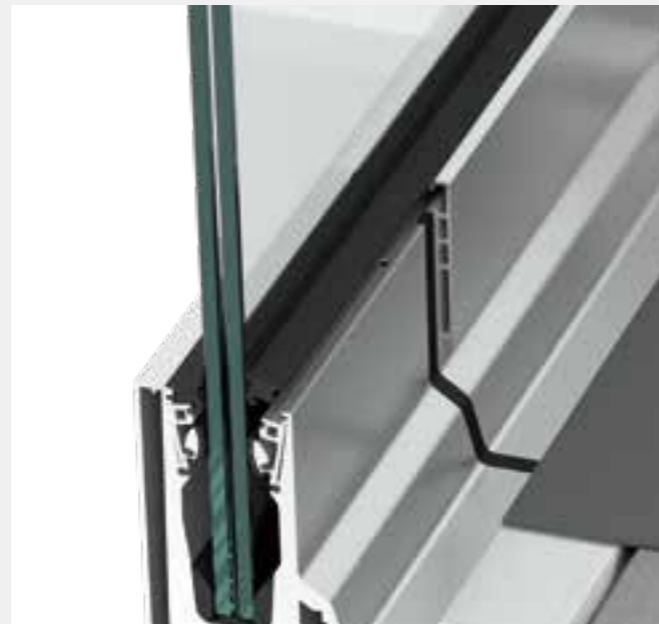
System profile 8



ift-tested sealing tightness

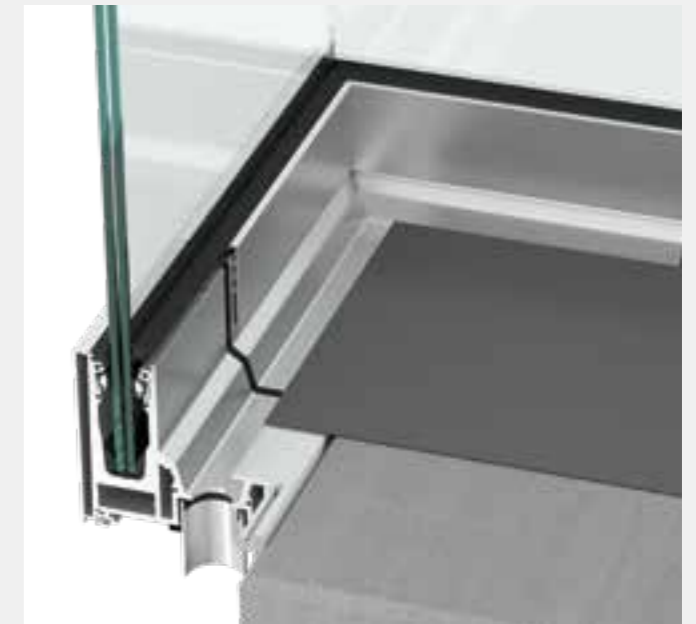
Profile joint

Tightness via EPDM moulded parts in combination with a UV-resistant, permanently elastic seal.



Outside corners

Tightness: Welded, tightness tested mitre corners with welding certification.



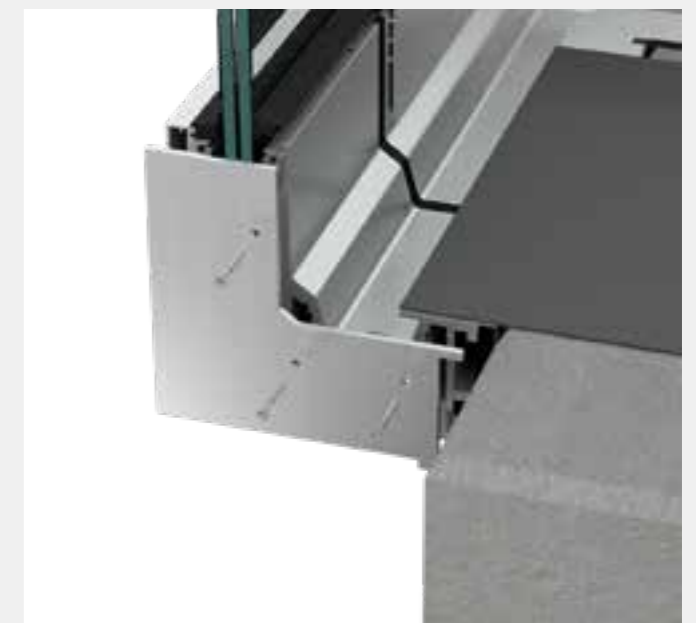
Drain connection

Tightness via EPDM sealing collar and mechanical contact pressure.



End cover

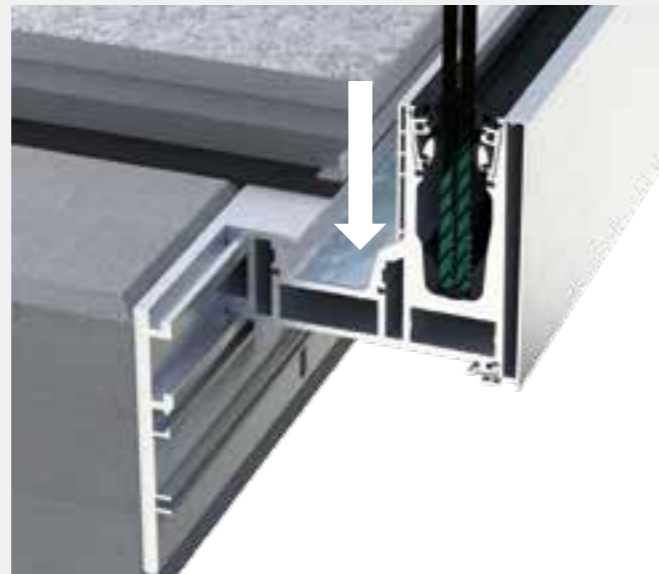
Tightness via UV-resistant, permanently elastic sealing plus mechanical protection. Emergency drainage via the end covers is possible.



Controlled water flow

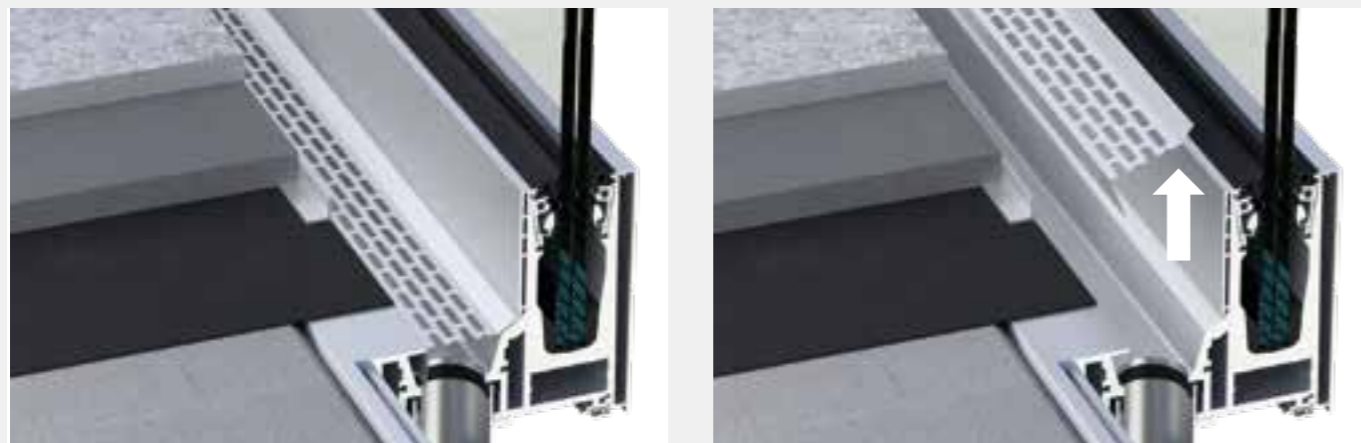
Water flow accessible from above at any time

The water is guided through a water channel which is accessible from above at any time and which drains the water laterally or directly into the drain connections.



Removable leaf trap

The stainless steel leaf trap grille fits exactly into the profile and can be removed easily and without tools. Thanks to the oblong holes, the best possible water drainage is guaranteed.



Concealed and revisable drainage

BALARDO *aqua control* offers outer fascia panels to cover the drainage system which are simply clipped onto the system profile. The fascia panels can easily be removed for inspection of the drain.

Advantages:

- ✓ The tightness of the drainage can be checked at any time
- ✓ A maintenance check during use is possible at any time



Emergency drainage

Emergency drainage is possible via the end covers.

Profile glass rebate drainage

The profile glass rebate drainage is concealed and takes place between the system profile and the outer fascia panel.



Accessible drain lines even with ETICS

For thermally insulated building envelopes and balconies, BALARDO *aqua control* enables inspection of the drain lines at any time, both during installation and use.

- ✓ Initial testing for leak tightness of the entire system is possible
- ✓ Maintenance checks during use are always possible
- ✓ The drain line can be inspected at any time by simply removing the fascia
- ✓ Flexibly designable drain line

